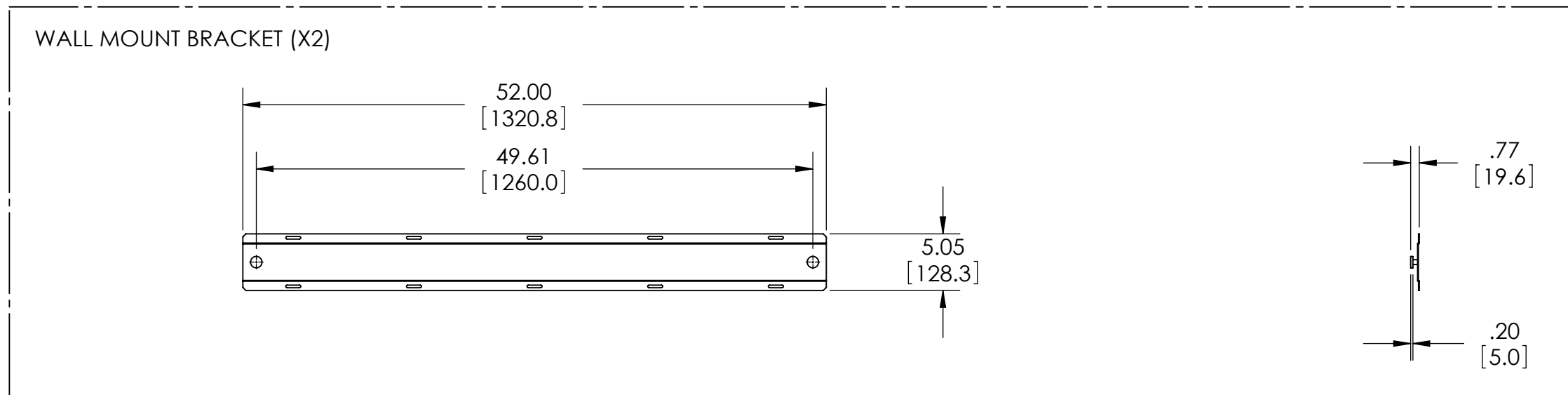
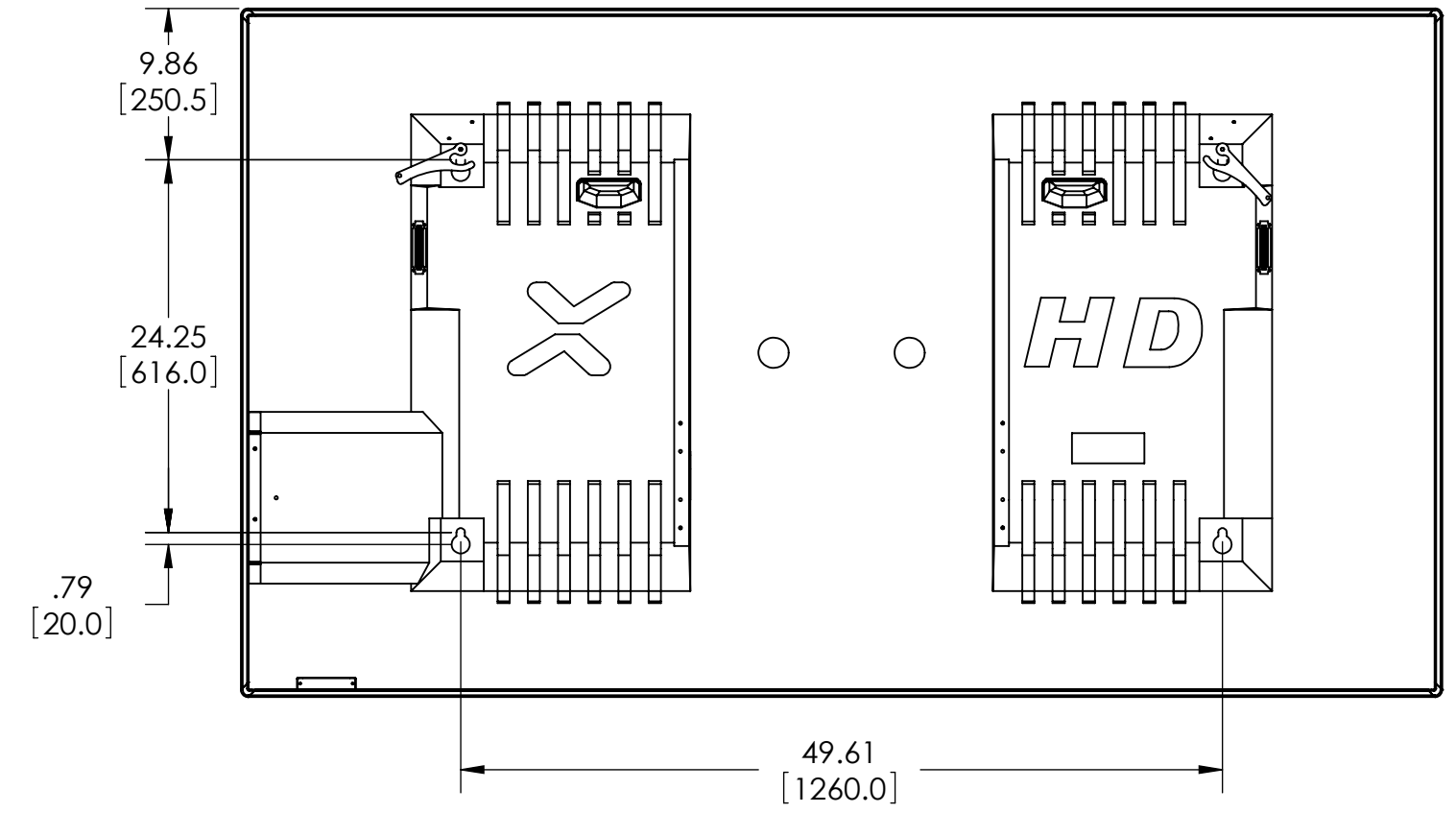
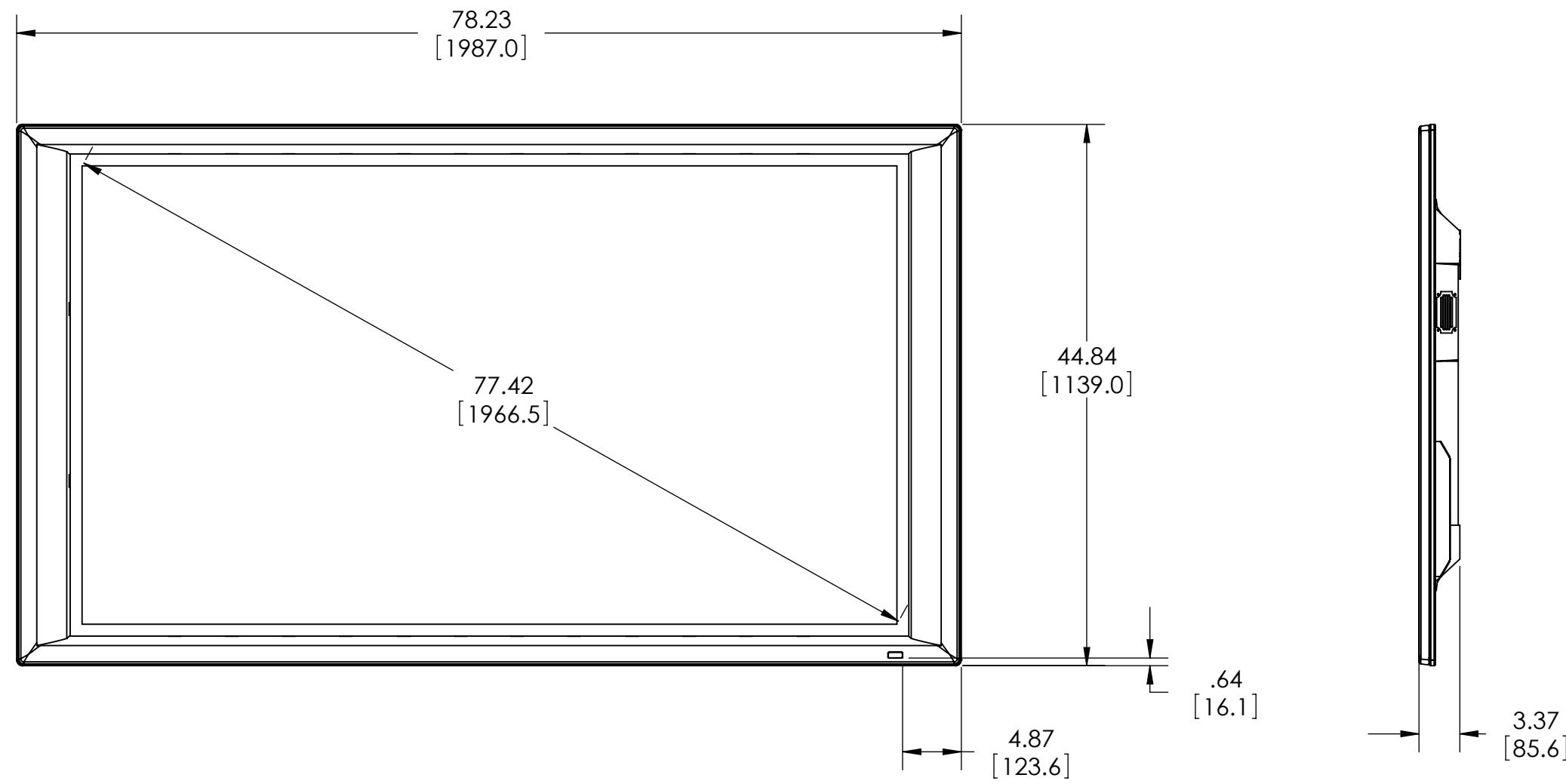
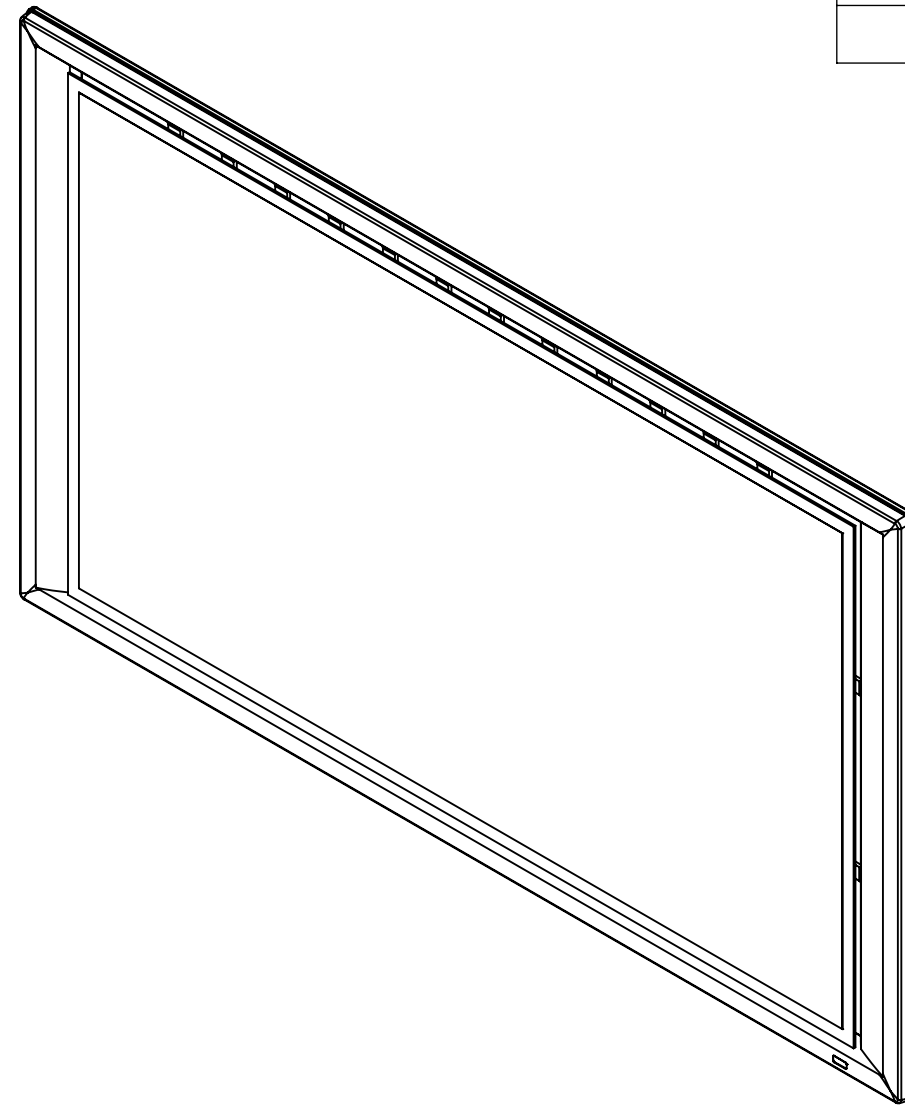
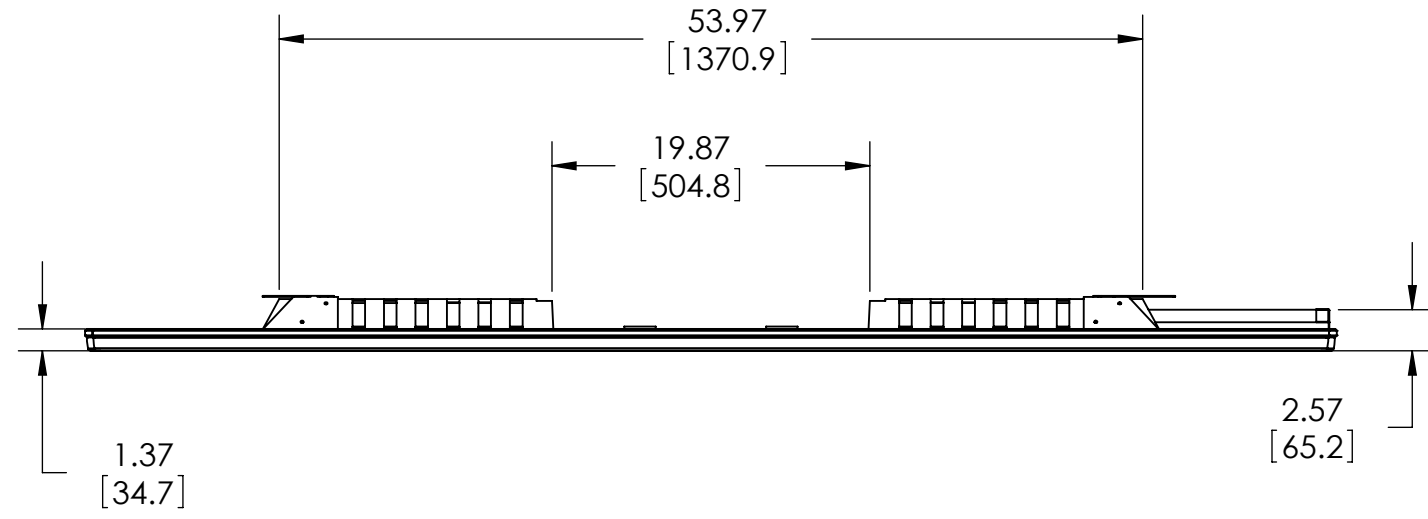


NOTES:
ALL DIMENSIONS ARE IN INCHES (MILLIMETERS).

| REVISIONS | | | | | |
|-----------|------|------|-----------------|------------|----------|
| ECO | ZONE | REV. | DESCRIPTION | DATE | APPROVED |
| | | A | INITIAL RELEASE | 05/08/2009 | HC |



THIS DRAWING CONTAINS INFORMATION PROPRIETARY TO PLANAR SYSTEMS, INC. ANY REPRODUCTION IN PART OR WHOLE WITHOUT THE WRITTEN PERMISSION OF PLANAR SYSTEMS IS PROHIBITED. THIS DRAWING IS SUPPLIED FOR INFORMATION, IDENTIFICATION, ENGINEERING EVALUATION, AND/OR INSPECTION PURPOSES ONLY AND MAY NOT BE USED AS BASIS FOR THE MANUFACTURING OF PRODUCTS OR THE FURNISHING OF SERVICES TO PLANAR SYSTEMS OR TO ANY THIRD PARTY UNLESS AUTHORIZED IN WRITING BY PLANAR SYSTEMS.

| | | | | |
|---|-------------|----------------|------------|---|
| <p>UNLESS OTHERWISE SPECIFIED DIMENSIONS ARE IN INCHES.</p> <p>TOLERANCES - UNLESS OTHERWISE SPECIFIED</p> <p>.X= ±.1 .XXX= ±.005</p> <p>.XX= ±.01 ANGLES= ±1°</p> <p>DIMENSIONING AND TOLERANCING PER ASME Y14.5M-1994</p> <p>THIRD ANGLE PROJECTION</p> | ENGR BY | HC | 05/08/2009 | <p>PLANAR SYSTEMS, INC. 1195 NW COMPTON DRIVE BEAVERTON, OR 97006 USA</p> |
| | DRAWN BY | HC | 05/08/2009 | |
| | CHECKED BY | HC | 05/08/2009 | |
| | USED ON | M080B | | |
| MATERIAL | | FINISH | | TITLE |
| | | | | X-SCREEN 80 OVERALL DIM |
| SIZE | PART NUMBER | DRAWING NUMBER | REV | |
| C | | | A | |
| SCALE | 1:12 | DO NOT SCALE | SHEET | 1 OF 1 |