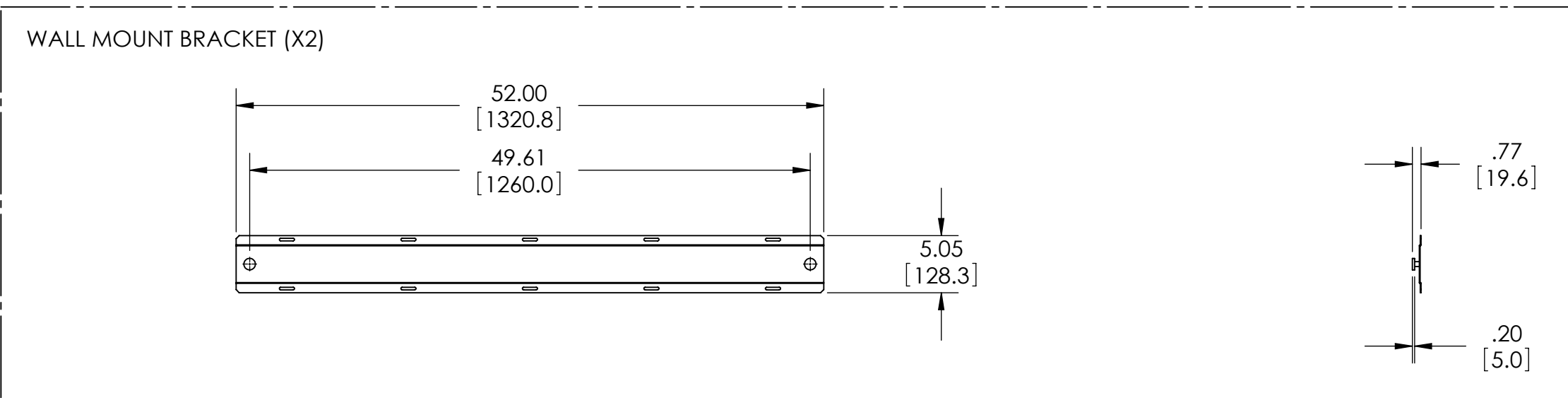
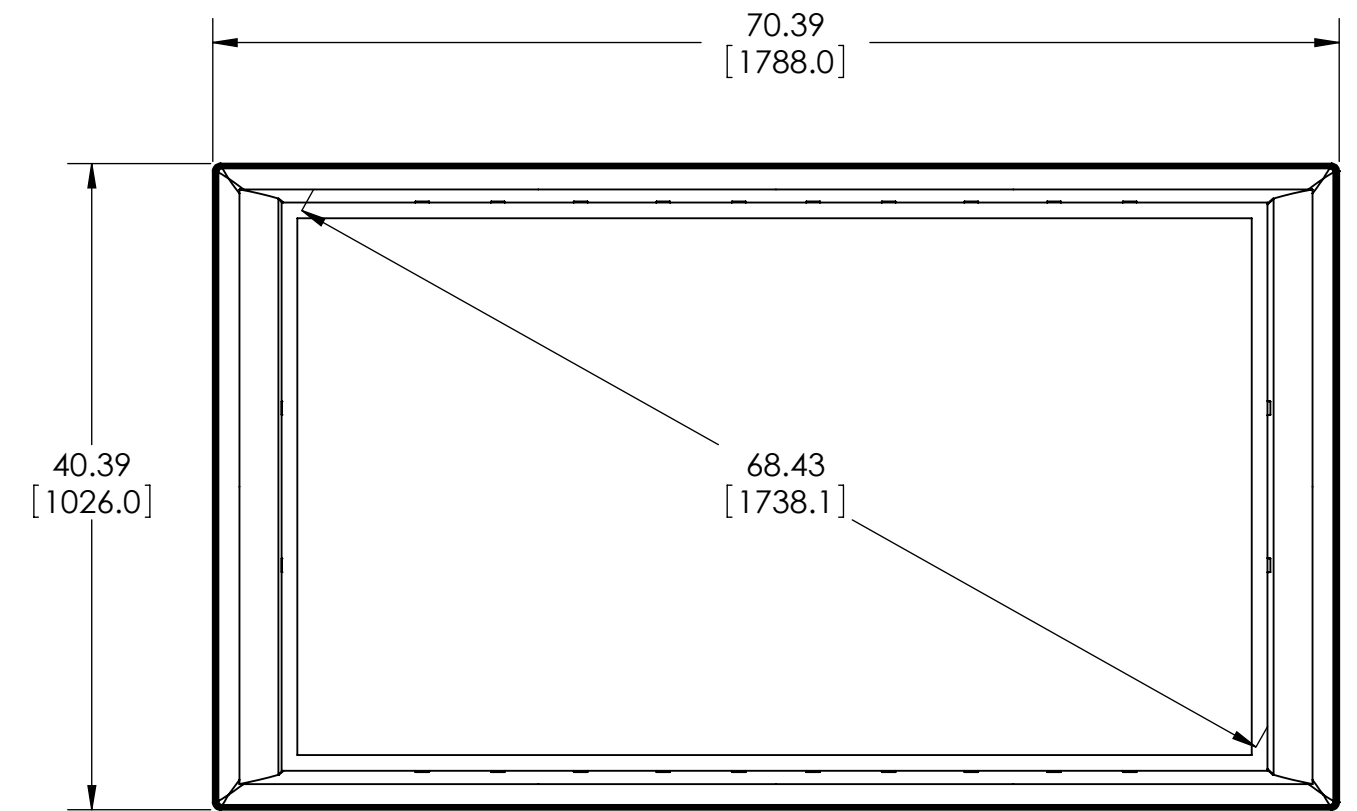
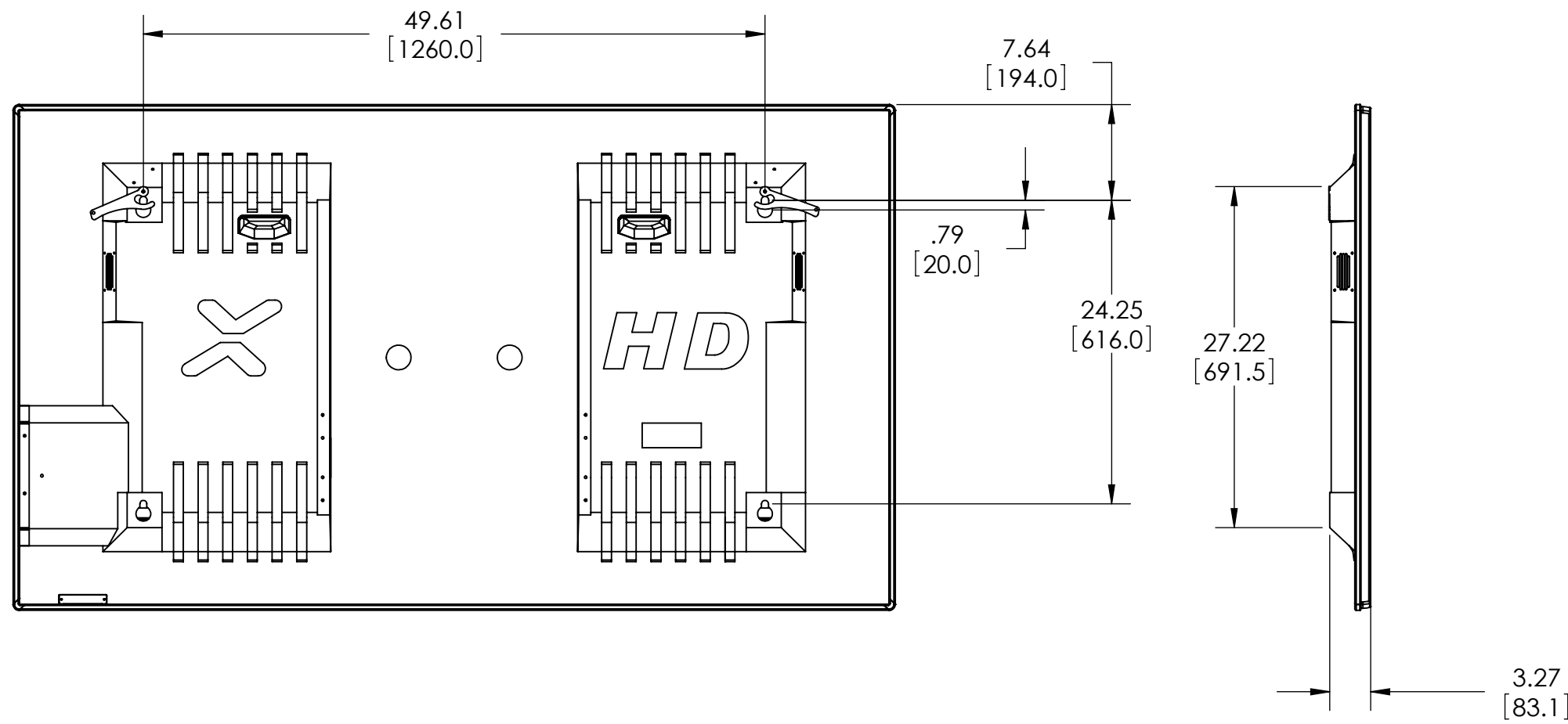
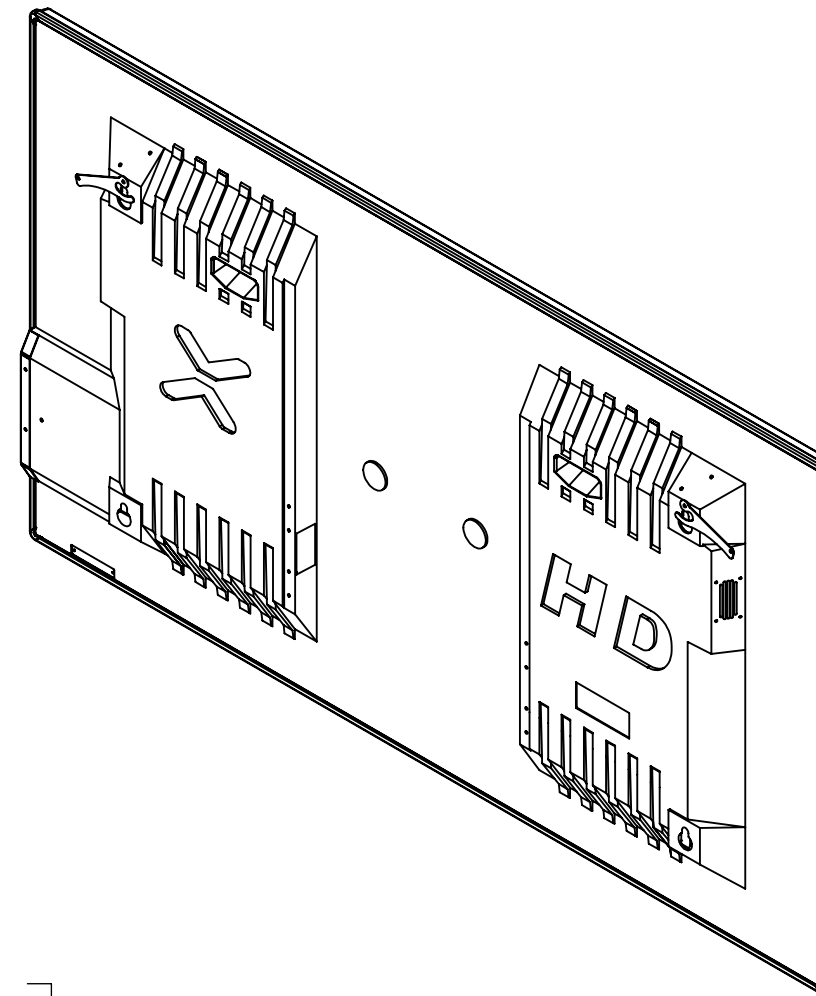
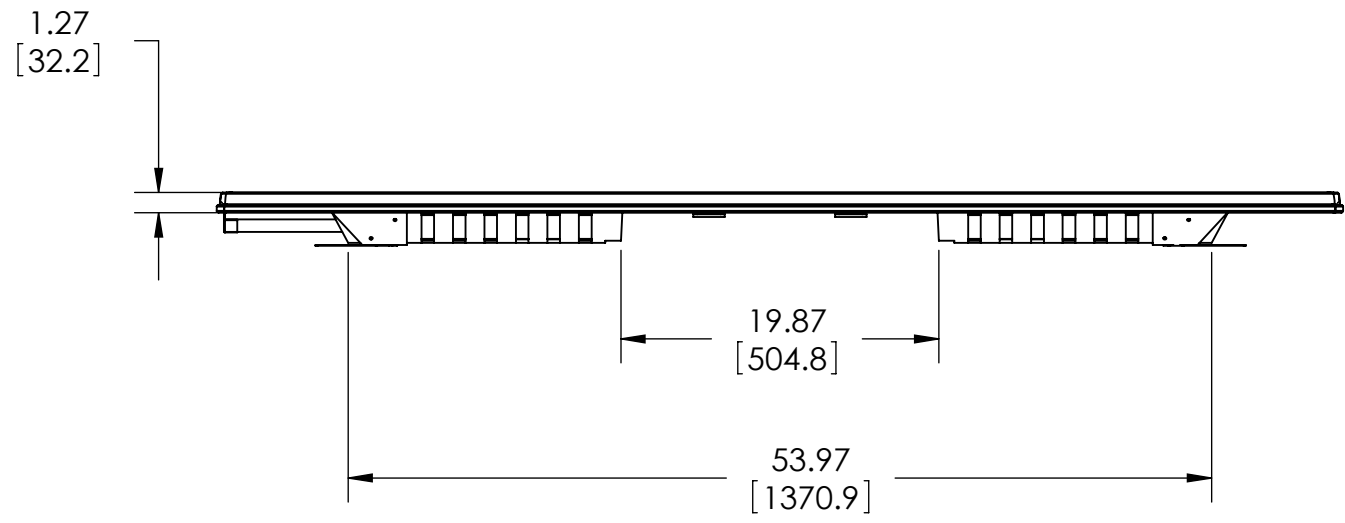


NOTES:
ALL DIMENSIONS ARE IN INCHES (MILLIMETERS).

REVISIONS					
ECO	ZONE	REV.	DESCRIPTION	DATE	APPROVED
		A	INITIAL RELEASE	05/08/2009	HC



UNLESS OTHERWISE SPECIFIED DIMENSIONS ARE IN INCHES.		ENGR BY	HC	05/08/2009
TOLERANCES - UNLESS OTHERWISE SPECIFIED		DRAWN BY	HC	05/08/2009
.X= ±.1	.XXX= ±.005	CHECKED BY	HC	05/08/2009
.XX= ±.01	ANGLES= ±1°	USED ON	M070B	
DIMENSIONING AND TOLERANCING PER ASME Y14.5M-1994		MATERIAL		
THIRD ANGLE PROJECTION		FINISH		



PLANAR SYSTEMS, INC.
1195 NW COMPTON DRIVE
BEAVERTON, OR 97006 USA

TITLE				
X-SCREEN 70 OVERALL DIM				
SIZE	PART NUMBER	DRAWING NUMBER	REV	
C			A	
SCALE	1:12	DO NOT SCALE	SHEET	1 OF 1