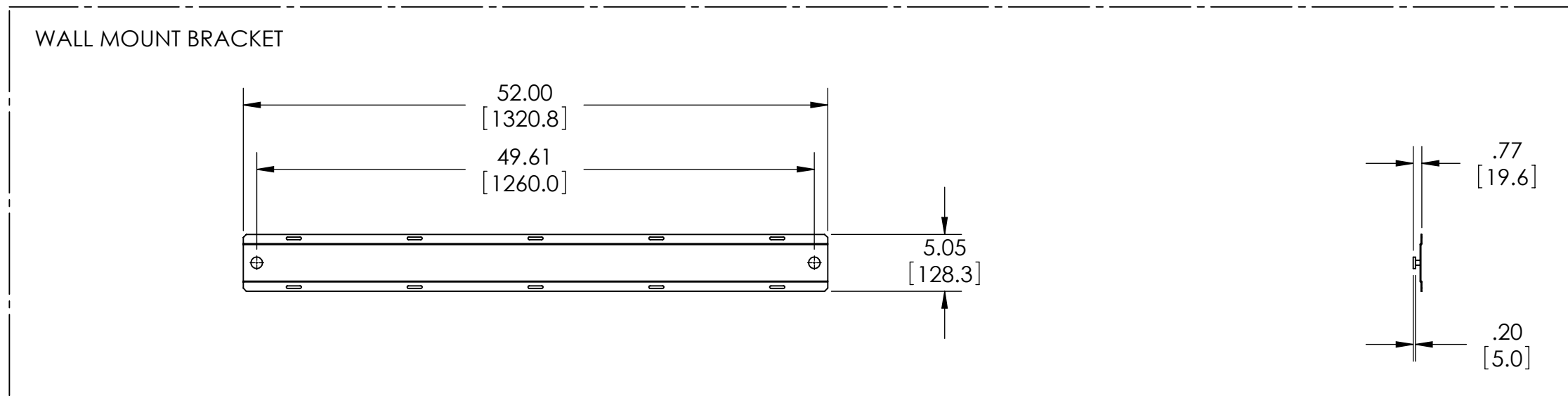
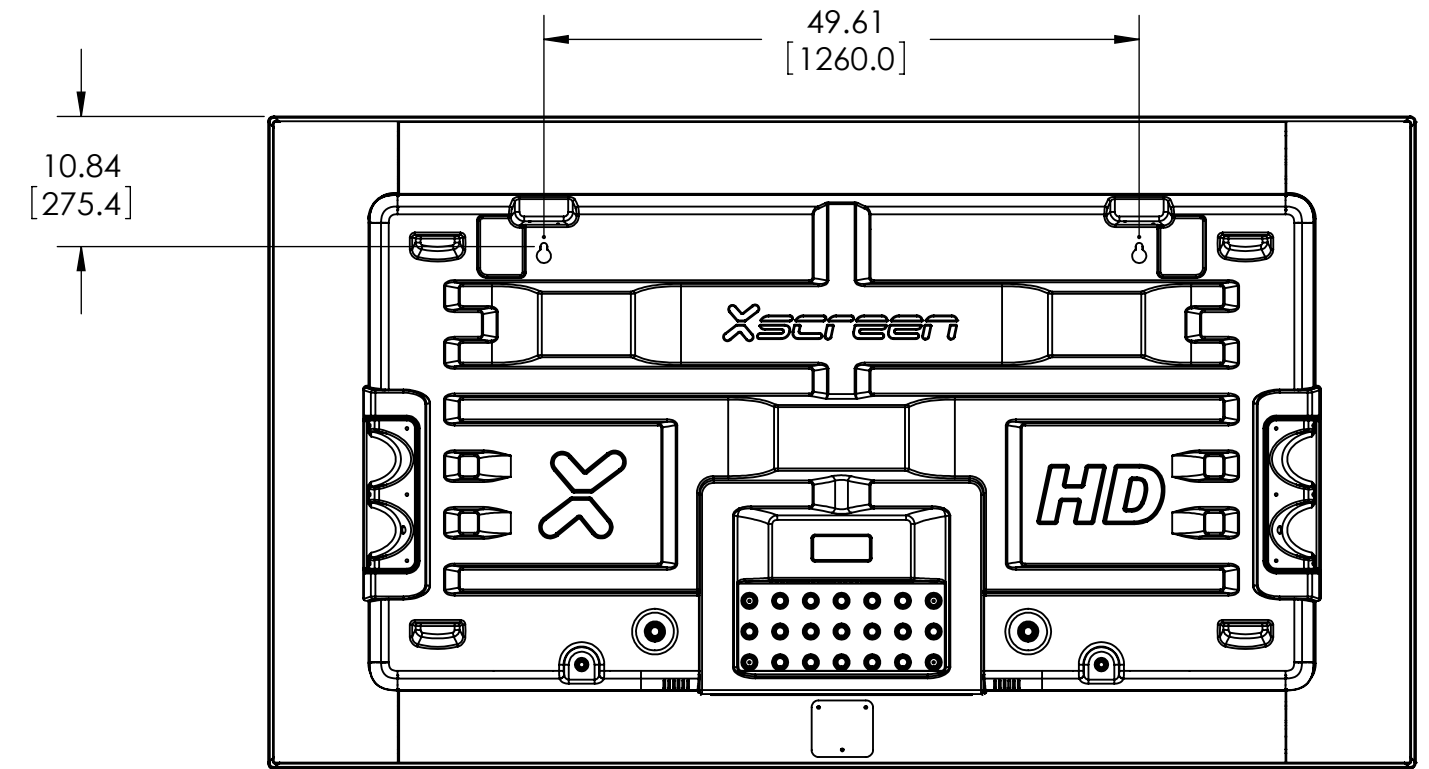
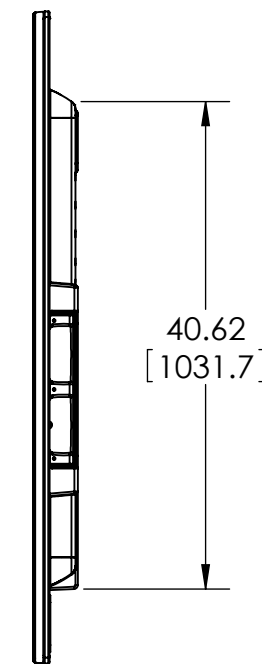
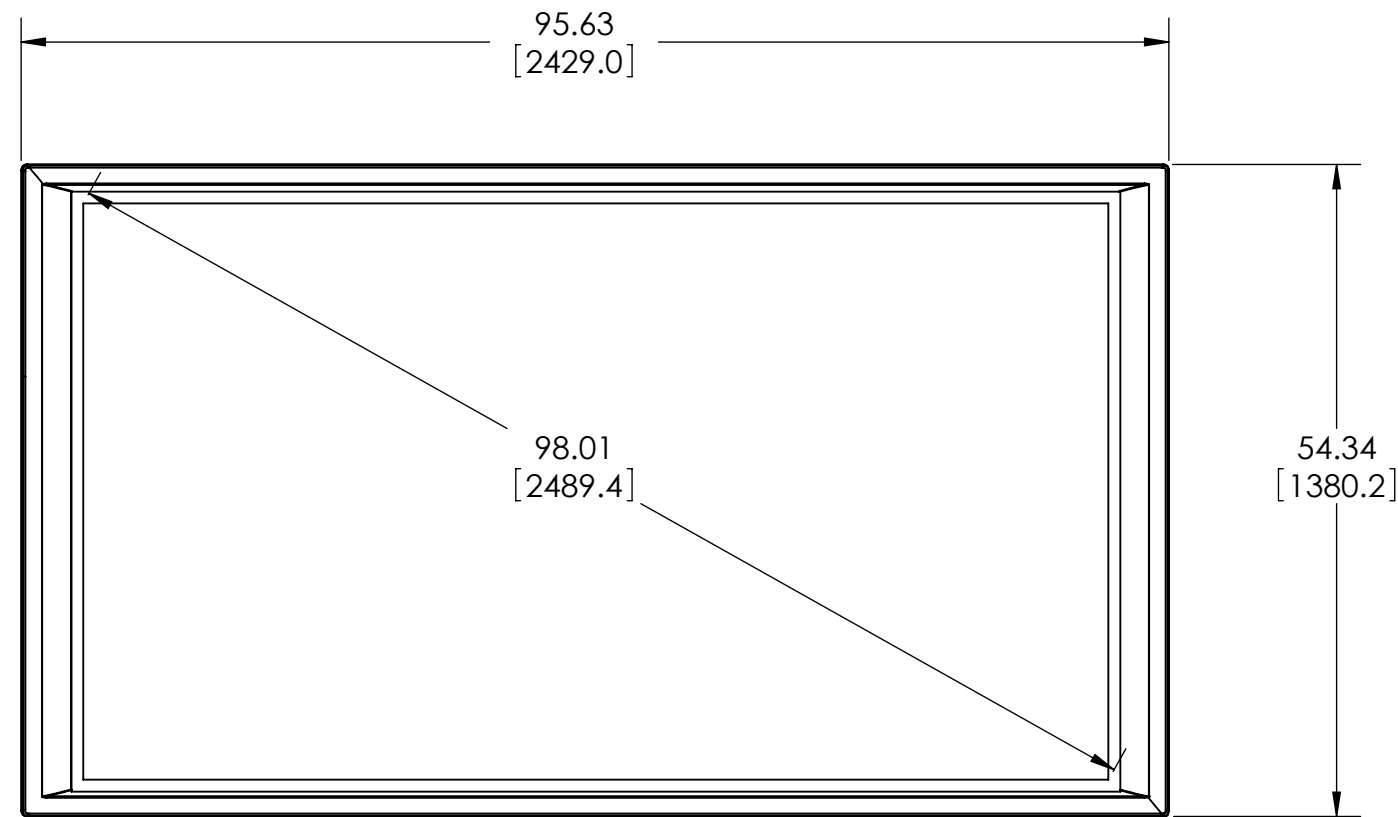
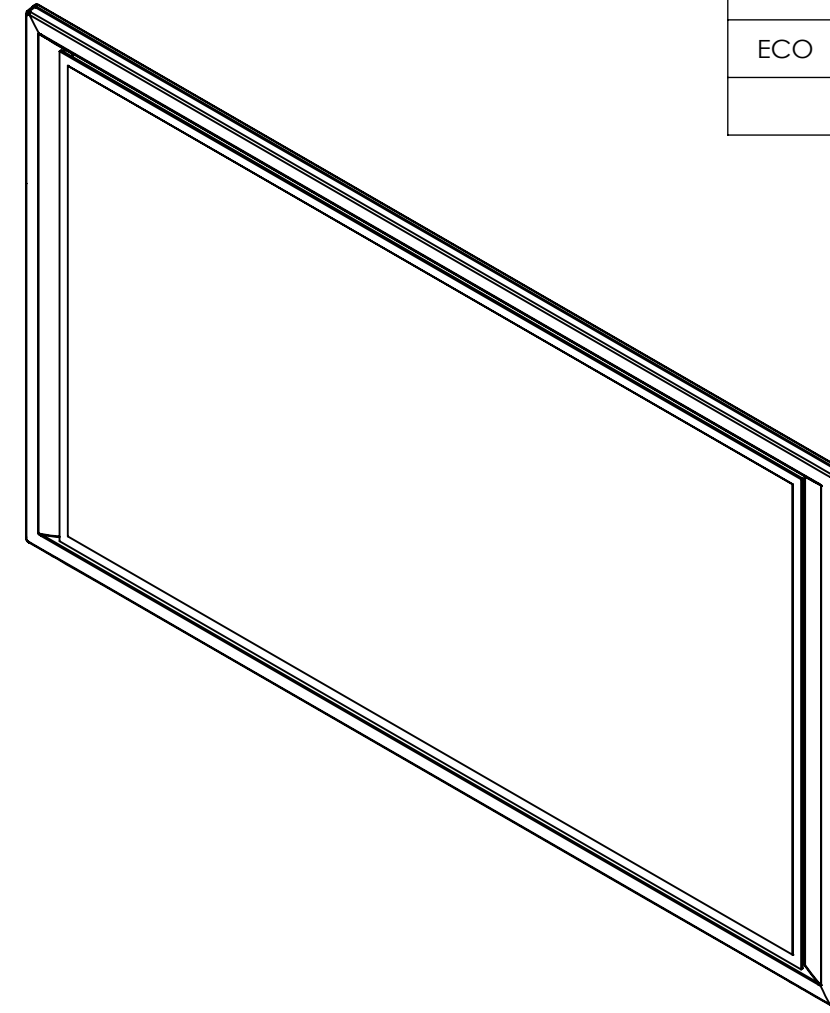
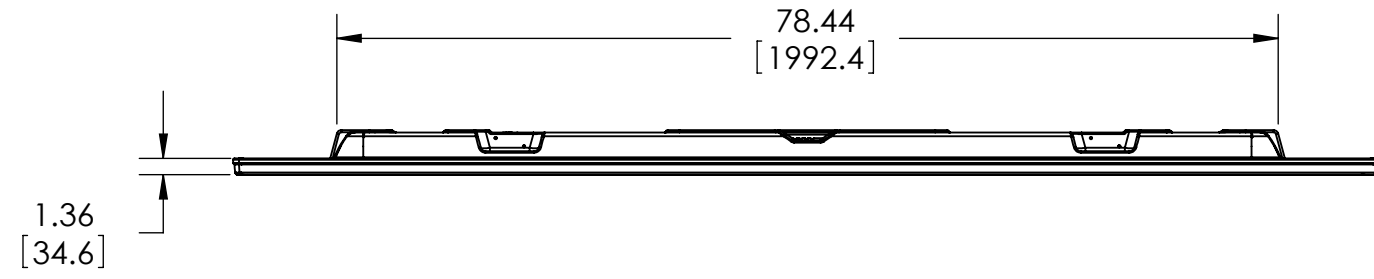




NOTES:  
ALL DIMENSIONS ARE IN INCHES (MILLIMETERS).

REVISIONS					
ECO	ZONE	REV.	DESCRIPTION	DATE	APPROVED
		A	INITIAL RELEASE	05/08/2009	HC



UNLESS OTHERWISE SPECIFIED DIMENSIONS ARE IN INCHES.		ENGR BY	HC	05/08/2009	 PLANAR SYSTEMS, INC. 1195 NW COMPTON DRIVE BEAVERTON, OR 97006 USA
TOLERANCES - UNLESS OTHERWISE SPECIFIED		DRAWN BY	HC	05/08/2009	
.X= ±.1	.XXX= ±.005	CHECKED BY	HC	05/08/2009	TITLE
.XX= ±.01	ANGLES= ±1°	USED ON	M0100B		<b>X-SCREEN 100 OVERALL DIM</b>
DIMENSIONING AND TOLERANCING PER ASME Y14.5M-1994		MATERIAL			
THIRD ANGLE PROJECTION		FINISH			SIZE
					C
					SCALE
					1:16
					DO NOT SCALE
					SHEET
					1 OF 1